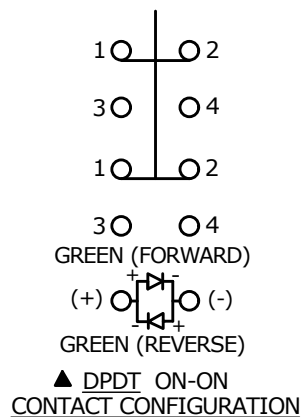


PANEL CUTOUT
MAX. PANEL THICKNESS 10mm

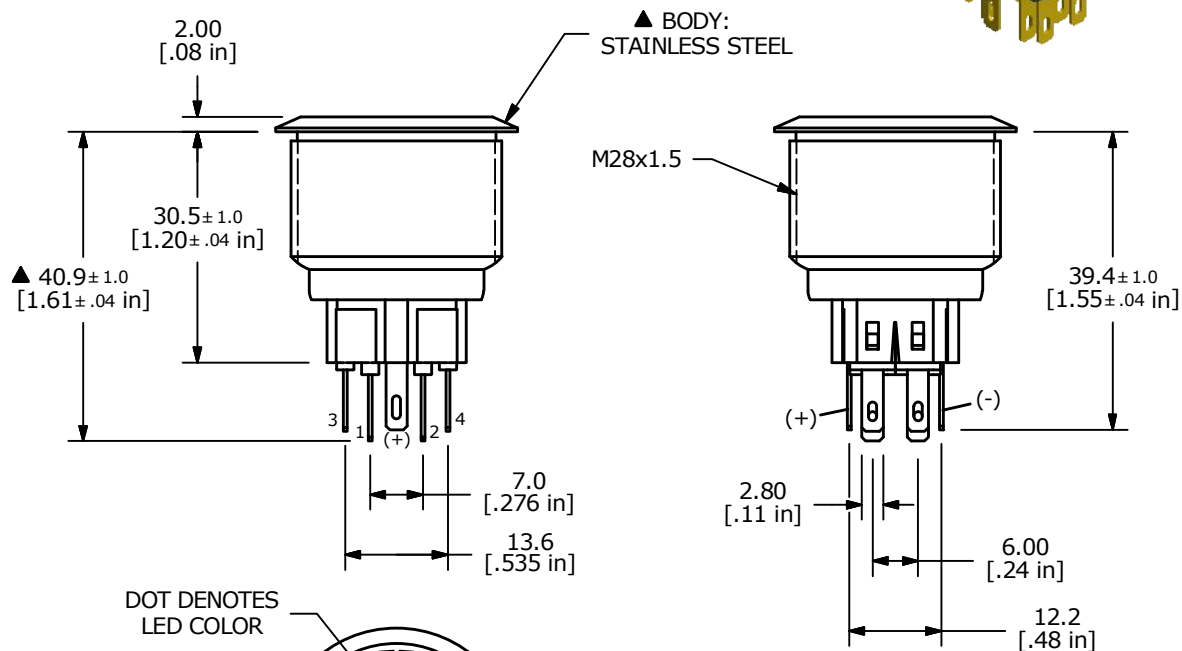
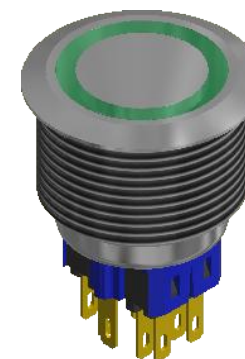
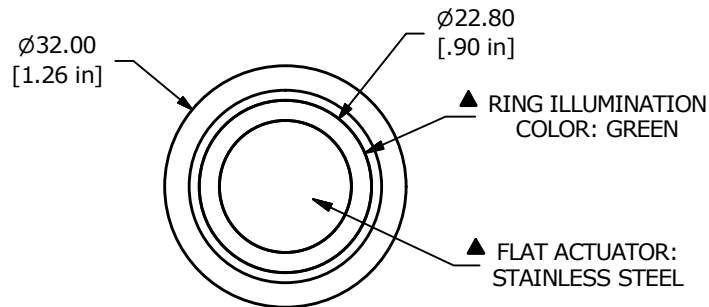
▲ SWITCH FUNCTION

POS. 1	POS. 2
1-2	3-4

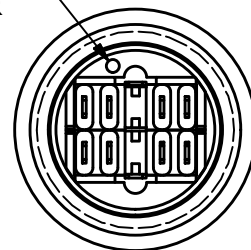


NOTE:

- ALL DIMENSIONS IN MM [INCH]
- GENERAL TOLERANCE: X.X = ± 0.4
X.XX = ± 0.25
- TERMINAL NOS. FOR REF. ONLY
- RATING: 2A @ 48VDC
- CONTACT RESISTANCE: 50m Ω MAX. @ 1A 12VDC
- INSULATION RESISTANCE: 1,000M Ω @ 500VDC
- DIELECTRIC STRENGTH: 2,000VAC MIN. FOR 1 MINUTE
- ELECTRICAL LIFE: 50,000 CYCLES
- OPERATING TEMPERATURE: -20°C TO 55°C
- INGRESS PROTECTION: IP66
- SUPPLIED HARDWARE: O-RING AND HEXNUT
- ▲ DENOTES CRITICAL PARAMETER
- ILLUMINATION VOLTAGE: 12V



DOT DENOTES LED COLOR



B	23838	UPDATED RATING TO IP66	4/8/19	MJR
A	22136	RELEASE FOR PRODUCTION	1/29/16	MW
REV	PCR NO	DESCRIPTION	DATE	BY

TITLE PV9F2U0SS-334				
SCALE 1:1	DATE 1/29/2016	DR MW	DWG 52-PV9F2U0SS334	REV B

THE INFORMATION CONTAINED IN THIS DOCUMENT IS PROPRIETARY TO E-SWITCH AND IS NOT TO BE COPIED OR TRANSFERRED